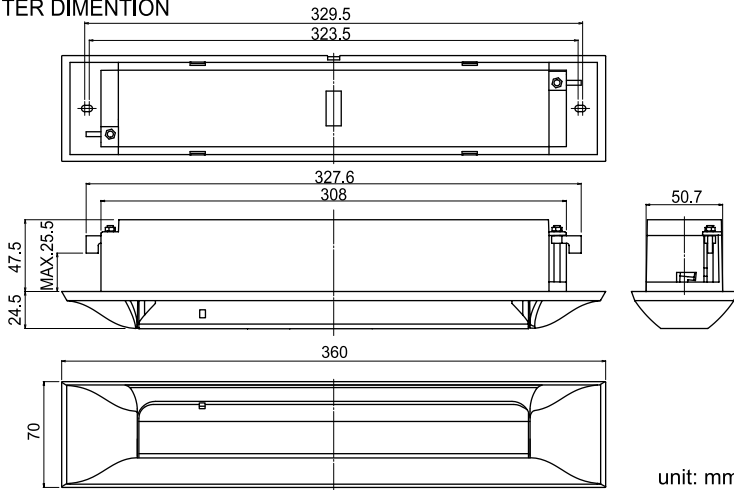


OAM built-in bracket

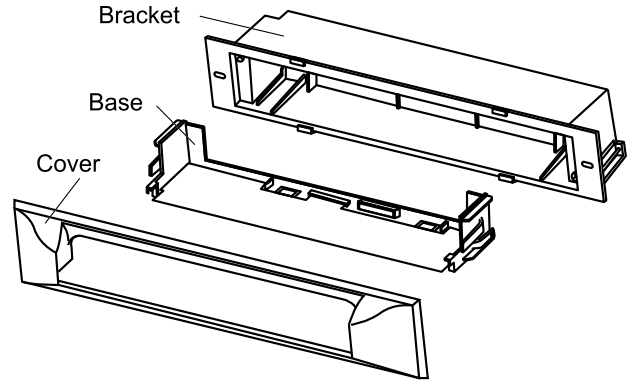
5921421 OCT 2014

DESCRIPTION

OUTER DIMENTION



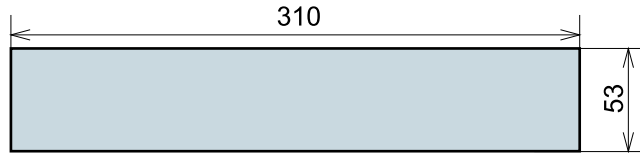
unit: mm



INSTALLATION

Make a rectangular cutout to accommodate the sensor and bracket

unit: mm

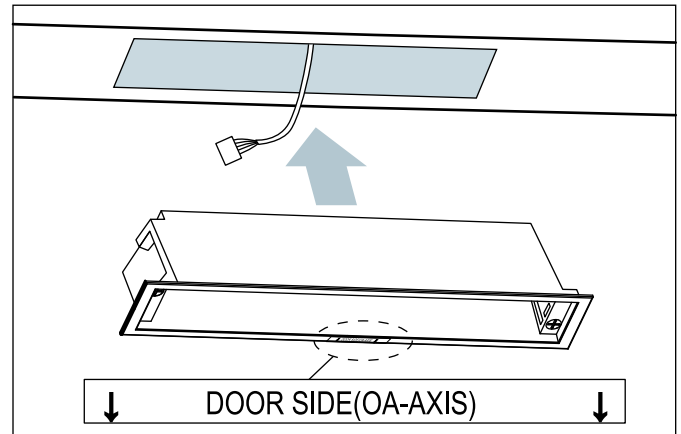
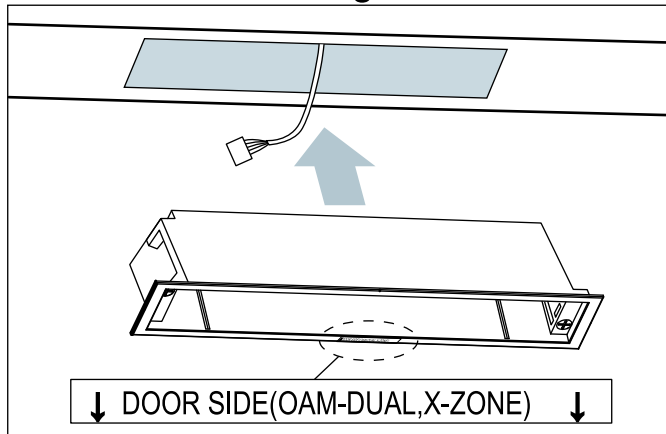


The maximum thickness of the ceiling/cover to mount the bracket is: 25.5mm

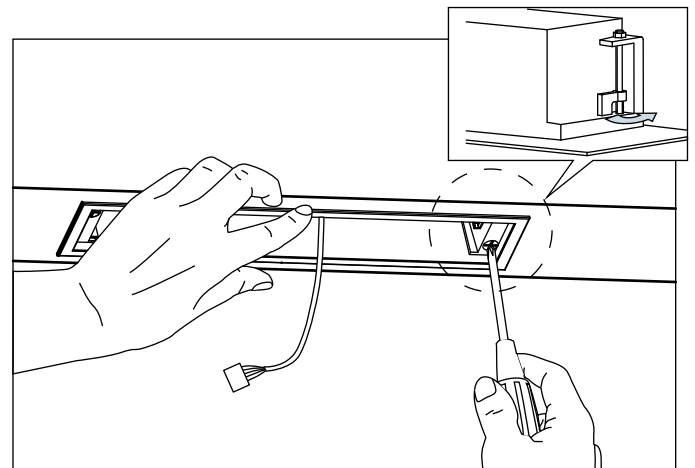
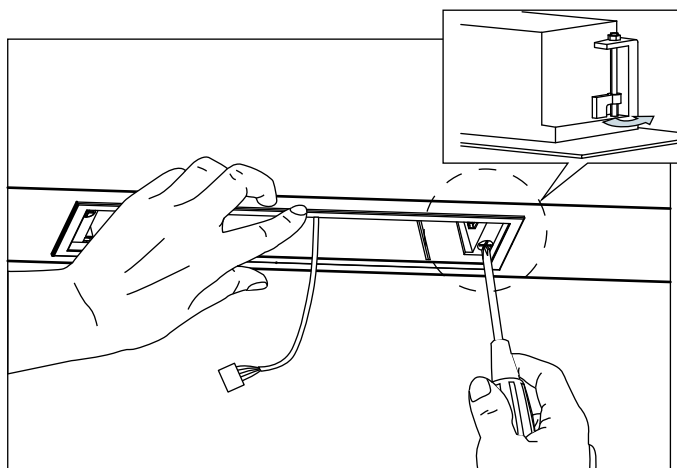
OAM-DUAL, X-ZONE

OA-AXIS

1. Insert the bracket into the cutout. Make sure the arrows point in the right direction for correct positioning of the detection angle.



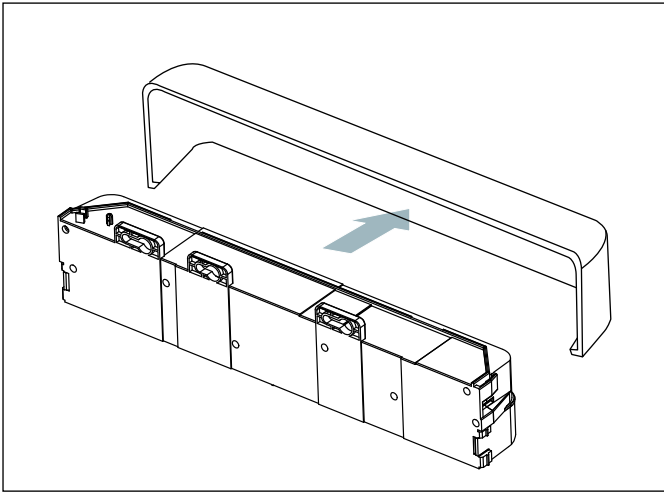
2. Fix the brackets with the screws.(2x)



INSTALLATION

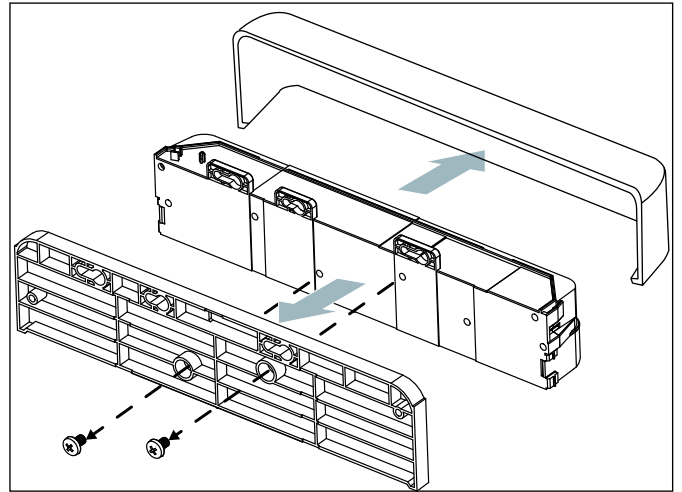
OAM-DUAL, X-ZONE

3.Remove the cover of the sensor.

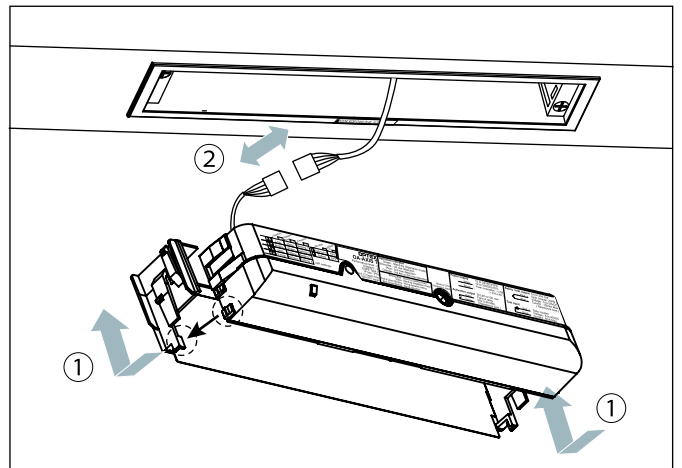
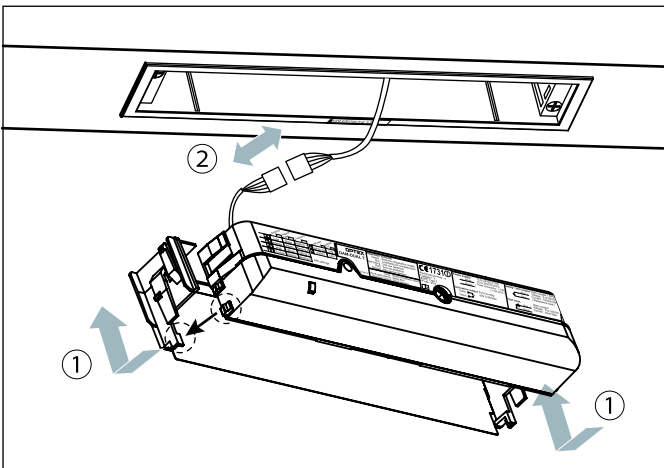


OA-AXIS

3.Remove the spacer.



4.Place the sensor on the base and slide into the bracket.



5.Place the cover.

